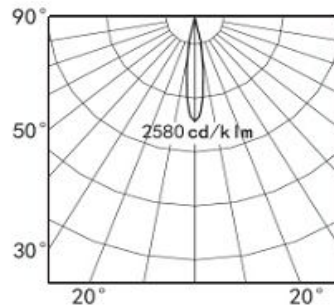
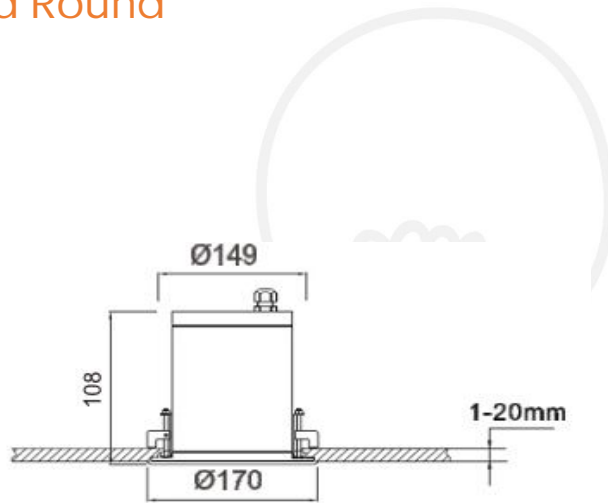


LED Downlight Recessed Round

1LDRR006-IP



Specification

- 6W TWISTABLE COB LEDs
- Single Color (CCT 3000K,4000K,6000K)
- IP65
- Input Voltage 100 - 240 Vac
- Power Consumption 6W
- Beam Angle 15°
- Dimension Dia. 170 mm x 108 mm
- 30,000 hrs average life time
- Operation Temp : -20°C ~ 50°C