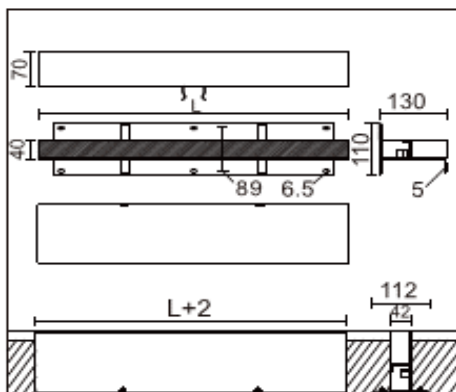


## LED Inground Recessed Linear

### 1LIRL012



## Specification

- 5050 SMD LEDs
- Single Color ( CCT 3000K,4000K,6000K ) , RGB color
- IP67
- Input Voltage 24V
- Power Consumption 12W
- Beam Angle 120°
- length 1000 mm
- DMX512 Control
- 30,000 hrs average life time
- Operation Temp : -20°C ~ 50°C